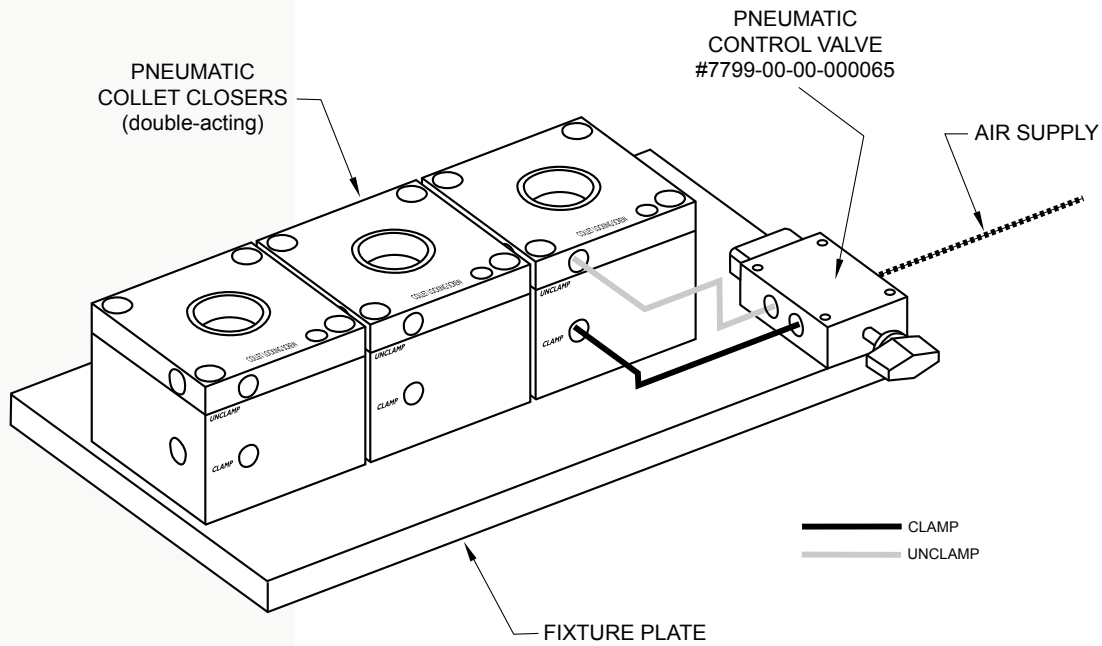


Sample Hardinge Pneumatic Collet Block Configuration and Connector Bushing illustration



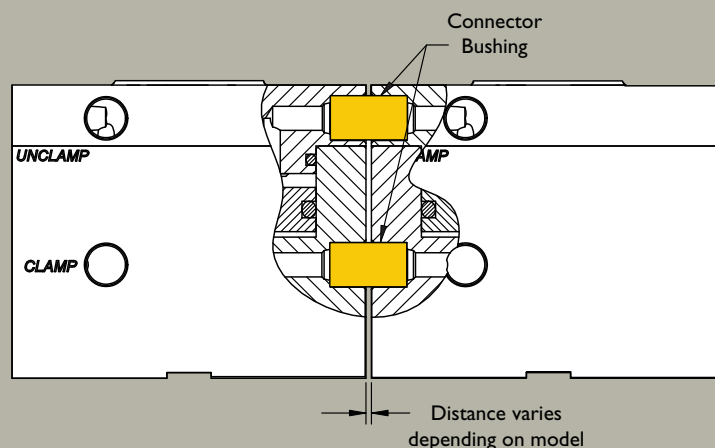
Example of a simple pneumatic configuration

Components include a control valve and three pneumatic collet blocks supplied by Hardinge mounted on a customer machined fixture plate. Two connector bushings are used between each collet block for internal plumbing. A total of four connector bushings would be used in this example. (schematic shown in clamp position)

Dimensions for mounting holes are available on the installation instructions online at www.hardingetooling.com

Connector Bushings for Internal Plumbing

Two connector bushings are used for each face of the collet block that is connected to another collet block.



Note: Connector bushings add space between units. Distance between collet blocks will vary depending on the model. Refer to the note at the bottom of each product page for on-center dimensions.